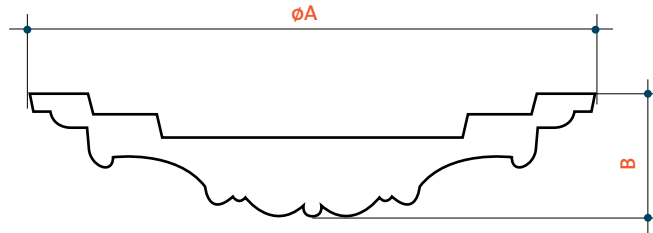


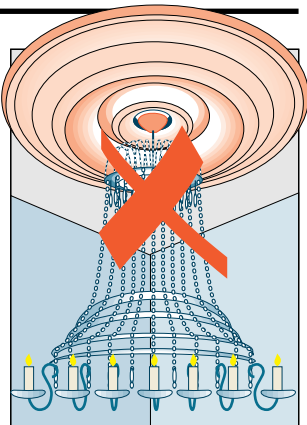
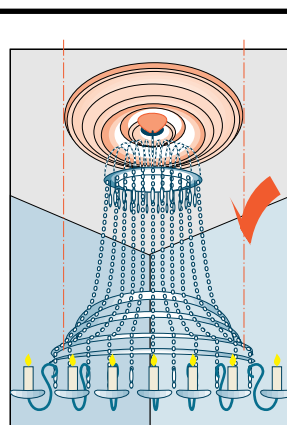
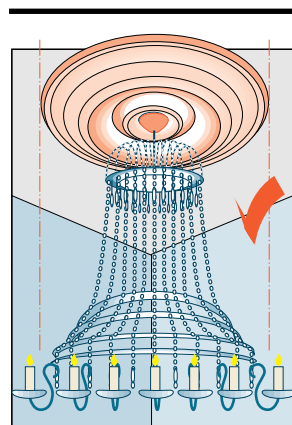
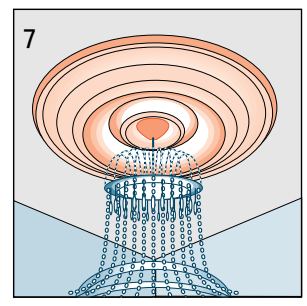
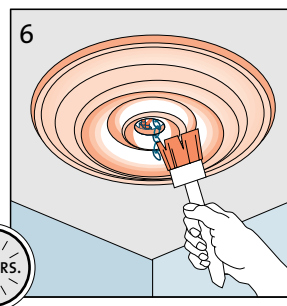
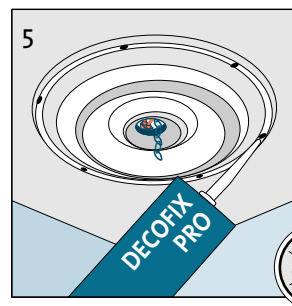
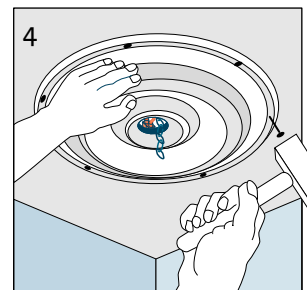
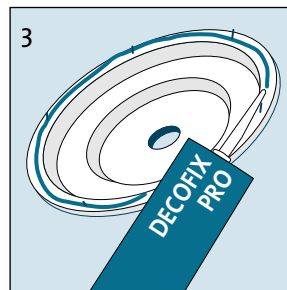
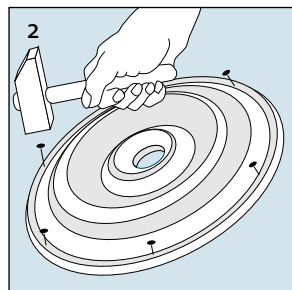
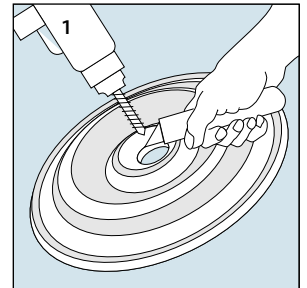
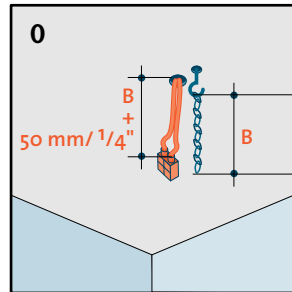


INSTALLATION INSTRUCTIONS • INSTRUCTIONS DE POSE • PLAATSINGSINSTRUCTIES • GEBRAUCHSANLEITUNG • MANUAL DEL USUARIO • GUIDA DELL'UTENTE • MANUAL DE UTILIZAÇÃO

Ref	øA		B	
	mm.	inches	mm.	inches
R.07	260	10 <sup>1</sup> / <sub>4</sub>	40	19/16
R.08	380	14 <sup>15</sup> / <sub>16</sub>	40	19/16
R.09	485	19 <sup>1</sup> / <sub>8</sub>	40	19/16
R.10	150	5 <sup>7</sup> / <sub>8</sub>	45	13/4
R.11	190	7 <sup>1</sup> / <sub>2</sub>	40	19/16
R.12	200	7 <sup>7</sup> / <sub>8</sub>	25	1
R.13	285	11 <sup>1</sup> / <sub>4</sub>	30	13/16
R.14	335	13 <sup>3</sup> / <sub>16</sub>	35	13/8
R.16	450	17 <sup>11</sup> / <sub>16</sub>	45	13/4
R.17	470	18 <sup>1</sup> / <sub>2</sub>	40	19/16
R.18	490	19 <sup>5</sup> / <sub>16</sub>	45	13/4
R.19	420	16 <sup>9</sup> / <sub>16</sub>	30	13/16
R.22	770(max)	30 <sup>1</sup> / <sub>4</sub> (max)	40	19/16
R.23	715	28 <sup>1</sup> / <sub>8</sub>	55	23/16
R.24	790	31 <sup>1</sup> / <sub>8</sub>	50	2
R.25	430(max)	16 <sup>15</sup> / <sub>16</sub> (max)	40	19/16
R.27	750	29 <sup>1</sup> / <sub>2</sub>	50	2
R.28	685	26 <sup>15</sup> / <sub>16</sub>	55	23/16
R.31	385	15 <sup>3</sup> / <sub>16</sub>	20	3/4
R.35	220	8 <sup>11</sup> / <sub>16</sub>	35	13/8
R.37	850	33 <sup>7</sup> / <sub>16</sub>	60	23/8
R.38	710	27 <sup>15</sup> / <sub>16</sub>	50	2
R.39	530	20 <sup>7</sup> / <sub>8</sub>	50	2
R.40	745	29 <sup>5</sup> / <sub>16</sub>	40	19/16
R.46	535	21 <sup>1</sup> / <sub>16</sub>	45	13/4
R.50	320	12 <sup>5</sup> / <sub>8</sub>	40	19/16
R.51	430	16 <sup>15</sup> / <sub>16</sub>	35	13/8
R.52	695	27 <sup>3</sup> / <sub>8</sub>	65	29/16
R.53	495	19 <sup>1</sup> / <sub>2</sub>	45	13/4
R.61	400	15 <sup>3</sup> / <sub>4</sub>	35	13/8
R.62	400	15 <sup>3</sup> / <sub>4</sub>	50	2
R.64	955	37 <sup>11</sup> / <sub>16</sub>	80	3 <sup>1</sup> / <sub>8</sub>
R.66	545	21 <sup>7</sup> / <sub>16</sub>	40	19/16
R.70	435	17 <sup>1</sup> / <sub>8</sub>	35	13/8
R.71	455	17 <sup>15</sup> / <sub>16</sub>	25	1
R.72	460	18 <sup>3</sup> / <sub>16</sub>	30	13/16
R.73	760	27 <sup>5</sup> / <sub>8</sub>	30	13/16
R.74	650	25 <sup>13</sup> / <sub>16</sub>	45	13/4
R.75	760	29 <sup>3</sup> / <sub>4</sub>	45	13/4
R.76	620	24 <sup>3</sup> / <sub>8</sub>	50	2
R.77	620	24 <sup>3</sup> / <sub>8</sub>	45	13/4



The dimensions given for each moulding are based on averages, and may vary slightly. Check measurements at job site before installing.



## INSTALLATION INSTRUCTIONS

### GENERAL INFORMATION

Produced during the latest technology, ORAC DECOR mouldings are among the finest quality products available in the world today. These quality products should be installed under optimal circumstances in order to guarantee a perfect finish.

### IMPORTANT

ORAC DECOR mouldings should be stored and installed in dry rooms with a normal surrounding temperature. Certain activities such as f.e. plastering, steaming off wallpaper and painting of the interior with acrylic paint, will considerably increase the humidity of the place for a certain time. Do not store or install mouldings under these circumstances. Also avoid a humid or wet substrate for installing. Too high humidity can influence the dimensional stability of polyurethane products. Avoid also high differences in temperature between storage and installation. Optimal are normal room temperatures. It is recommended to stabilize the ORAC DECOR mouldings (and the ORAC-DECOFIX PRO and ORAC-FIX EXTRA) for 24 hours in the place of installation.

### TOOLS

ORAC DECOR mitre box + fine tooth saw, caulking gun, tape measure, sponge, fine sandpaper, pencil, 4cm/1,5 inch finishing nails, hammer, ORAC-DECOFIX PRO (adhesive and filler), ORAC-FIX EXTRA (strong joint cement)

### SURFACING

ORAC DECOR products can be adhered to almost any surface. The substrate needs to be flat, clean, dry and solid, not subject to expansion and free from grease, oil and other impurities. Old wallpaper and water damaged or loose plaster should be removed. Recommended surfaces are plasterwork and concrete.

### PREPARATORY WORK

Before installing moulding, lightly sand and wipe material to avoid any dirt and impurities (1). This is important to obtain good adhesion and a smooth finish. Accurately measure the room where you will be installing the mouldings. Add a minimum of approx. 50 cm (1,5 ft) of moulding for each corner to compensate for mitring waste. Take one section of the moulding and place it flush against the ceiling and/or wall as you would install it. Draw a line on the ceiling and the wall which illustrates the edges of the cornice. Nails can be applied on these lines to hold the cornice in place (2).

### MITRING

The ORAC DECOR mitre box (FB.300) can be used to saw all moulding on the ORAC DECOR collection (3). Place the mitre box with the "B"-side of the mitre box against you. Place the cornice face-up, upside down in the mitre box with "A" as wall and "B" as ceiling. For right hand outside corners use left slot, saving material to be installed to the left of the cut. For left hand outside corners use right slot, saving material to be installed to the right of the cut. For right hand inside corners use right slot, saving material to be installed to the left of the cut. For left hand inside corners use left slot, saving material to be installed to the right of the cut. Use center slot to cut butt joint.

### INSTALLATION

#### a) against wall and/or ceiling

Run a thick equal line of ORAC-DECOFIX PRO using a comb for glue or a caulking gun, on those glue levels of the moulding, which will be installed to the wall and/or ceiling (4). Place moulding within fixed lines (5). ORAC-DECOFIX PRO can be removed immediately using a damp cloth or sponge, by which also eventual gaps between moulding and ceiling or moulding and wall are filled (6).

#### b) between mouldings mutually

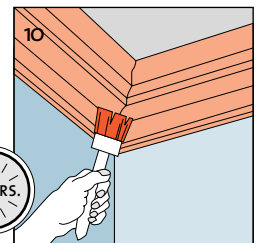
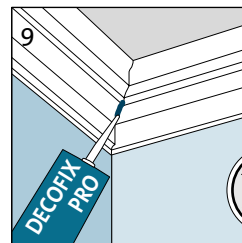
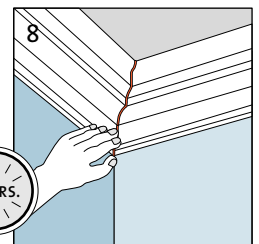
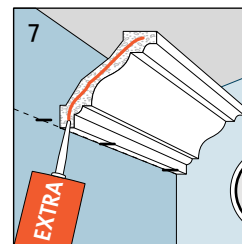
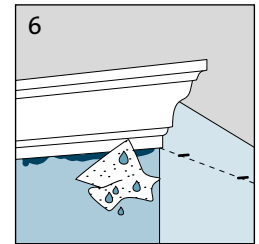
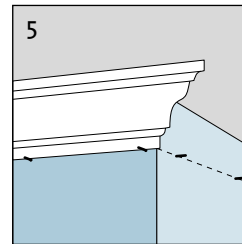
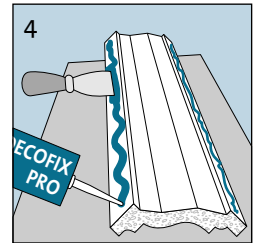
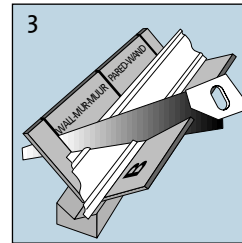
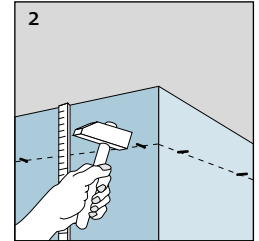
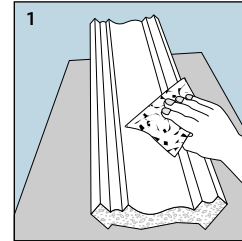
Continue with complete lengths and proceed around the room. Before installing the next moulding, ORAC-FIX EXTRA should be applied on one side of every joint (7). The mouldings should be fixed very tightly. This will guarantee a perfect connection between adjoining mouldings. Remove excessive adhesive for preference after hardening (8) (dependent on the relative humidity, min. 3 hours). If the adhesive has to be removed immediately, use acetone.

### FINISHING TOUCHES

As soon as mouldings are installed, eventual gaps and the mitre cut can be filled with ORAC-DECOFIX PRO (9). ORAC-DECOFIX PRO and ORAC-FIX EXTRA can be painted after hardening (min. 1day) with most types of quality paints, stains and faux effects (10).

### TIPS

- Avoid in any case HUMIDITY, as well for storage as for installation.
- use only ORAC-DECOFIX PRO and ORAC-FIX EXTRA
- ORAC-FIX EXTRA: avoid contact with the skin.
- Lightly sand the mouldings with fine sandpaper, in order to remove all impurities and to guarantee a perfect adhesion.
- Painting and faux finishes can be done with high quality paints and finishes only.
- guarantee conditions are valid only when these instructions are completely fulfilled.



#### ORAC-FIX EXTRA

base removable open time storage coverage  
Diphenylmethane 4,4-diisocyanate acetone (remove before hardening) ± 30 min. between +5°C and +30°C (41°F-86°F) see p.4

#### ORAC-DECOFIX PRO

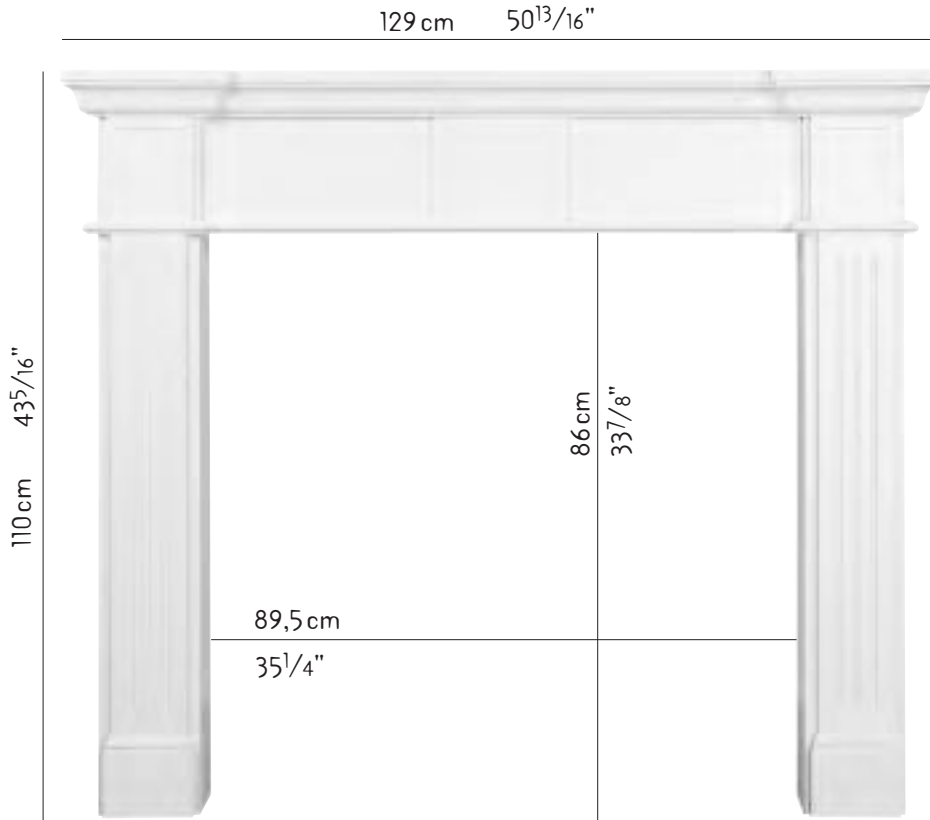
synthetic copolymer dispersion water (remove before hardening) ± 15 min. between +5°C and +30°C (41°F - 86°F)  
1 cartridge of 310ml: 7 to 8m / ±5ft  
1 plastic tub of 5kg: 48m / 155ft



ORAC Belgium - tel: +32 (0)59-80 32 52 - fax: +32 (0)59-80 28 10  
www.oracdecor.com - e-mail: oracinfo@oracdecor.com

UM 601/03

INSTALLATION INSTRUCTIONS • INSTRUCTIONS DE POSE • PLAATSINGSINSTRUCTIES • GEBRAUCHSANLEITUNG • MANUAL DEL USUARIO • GUIDA DELL'UTENTE • MANUAL DE UTILIZAÇÃO

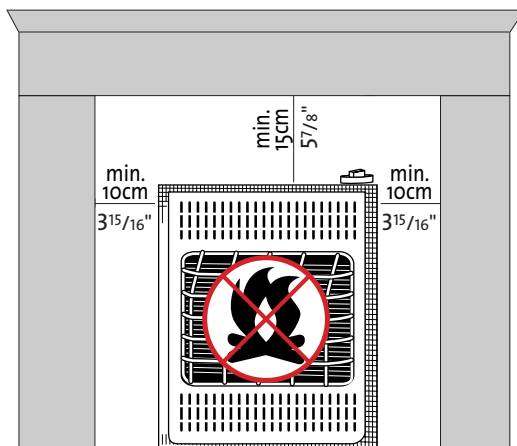


129 x 24 x 20 cm  
50<sup>3</sup>/<sub>4</sub>" x 9<sup>7</sup>/<sub>16</sub>" x 7<sup>7</sup>/<sub>8</sub>"



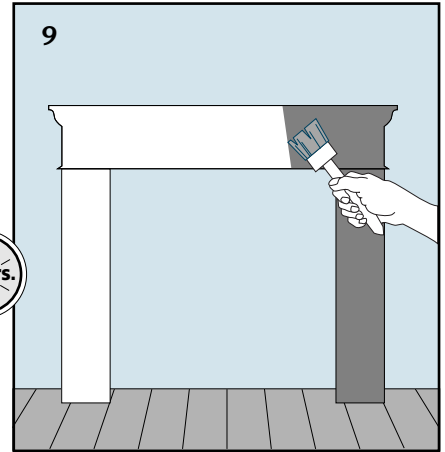
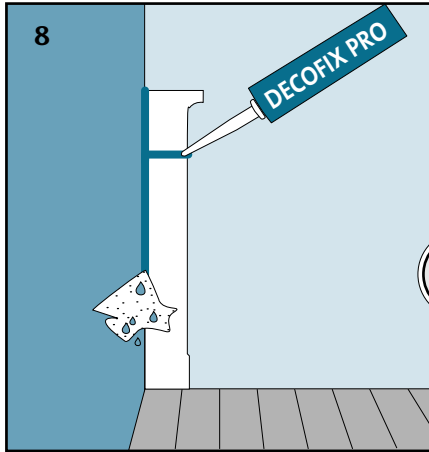
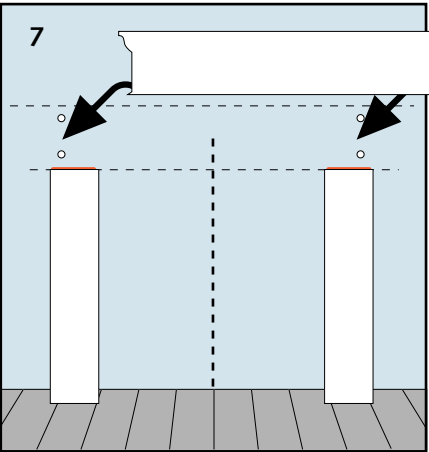
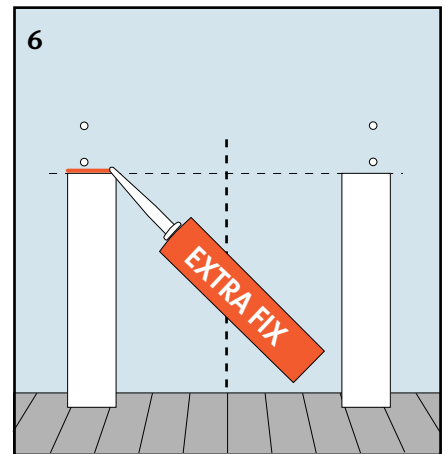
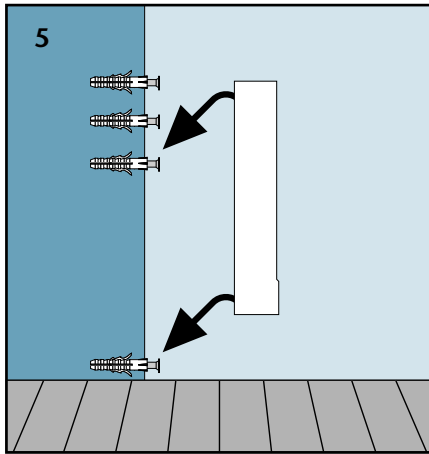
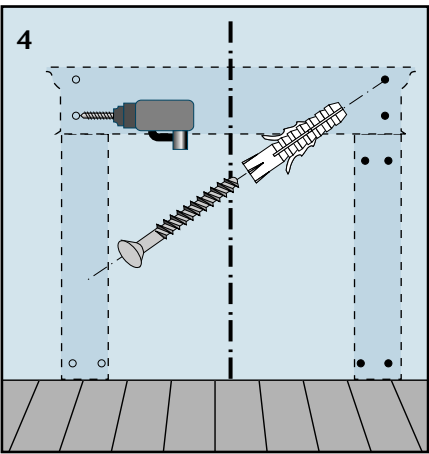
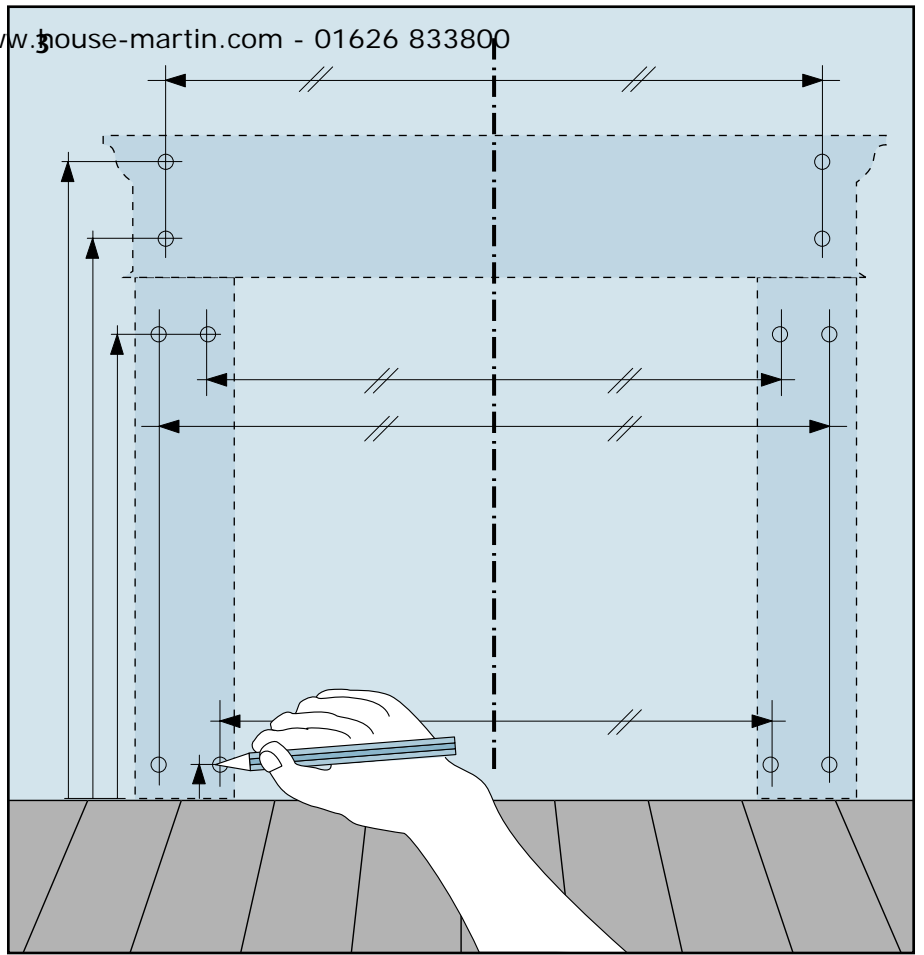
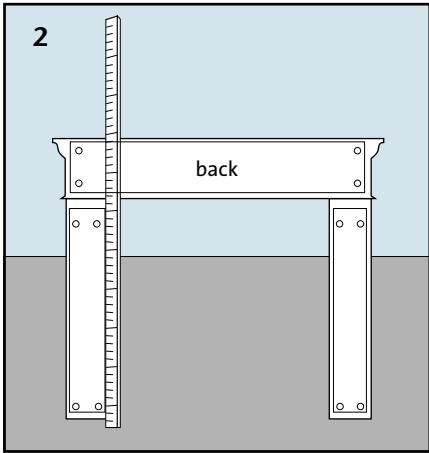
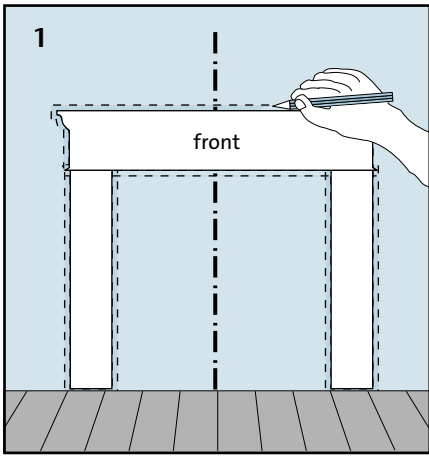
15 x 86 x 17 cm  
5<sup>7</sup>/<sub>8</sub>" x 33<sup>7</sup>/<sub>8</sub>" x 6<sup>11</sup>/<sub>16</sub>"

15 x 86 x 17 cm  
5<sup>7</sup>/<sub>8</sub>" x 33<sup>7</sup>/<sub>8</sub>" x 6<sup>11</sup>/<sub>16</sub>"



max. 2 - 3kW

*The dimensions given for each moulding are based on averages, and may vary slightly. Check measurements at job site before installing.*

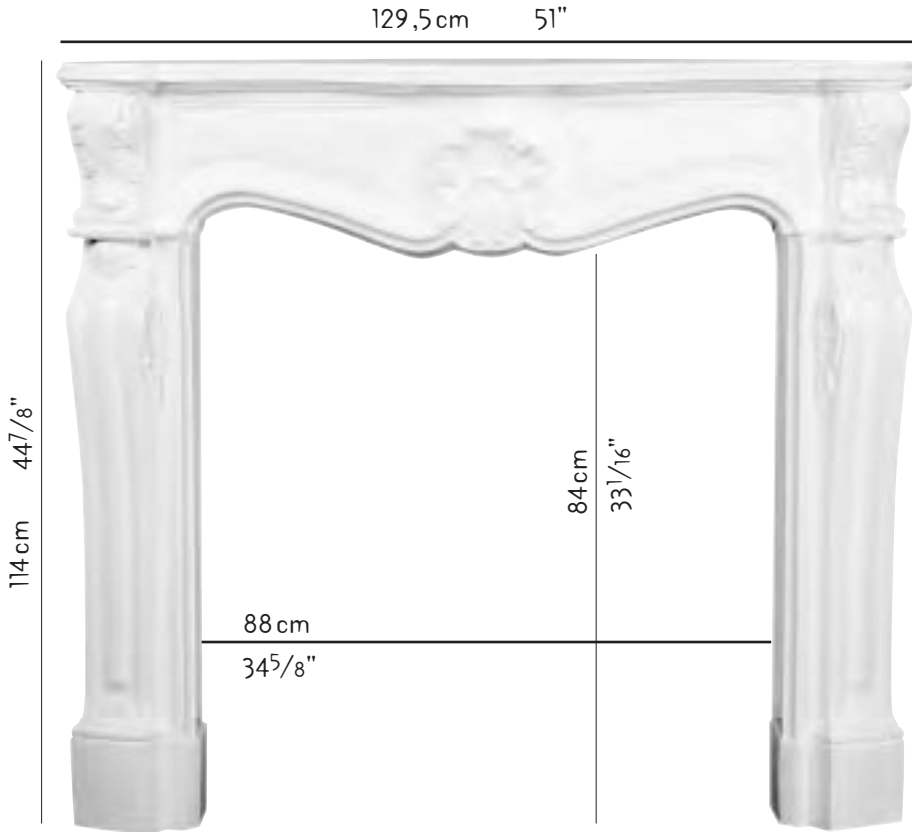




**UM 600/03**

ORAC Belgium - tel: +32 (0)59-80 32 52 - fax: +32 (0)59-80 28 10  
www.oracdecor.com - e-mail: oracinfo@oracdecor.com

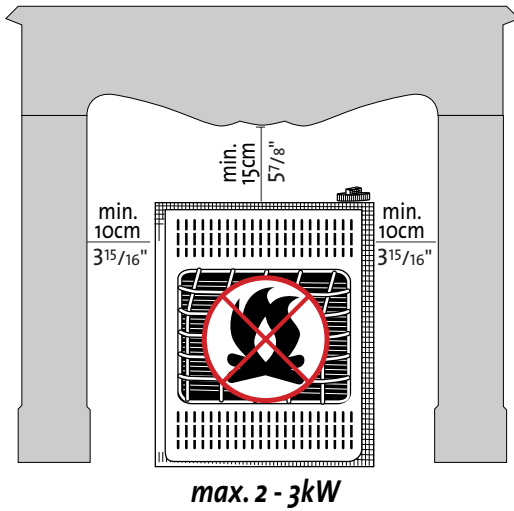
INSTALLATION INSTRUCTIONS • INSTRUCTIONS DE POSE • PLAATSINGSINSTRUCTIES • GEBRAUCHSANLEITUNG • MANUAL DEL USUARIO • GUIDA DELL'UTENTE • MANUAL DE UTILIZAÇÃO



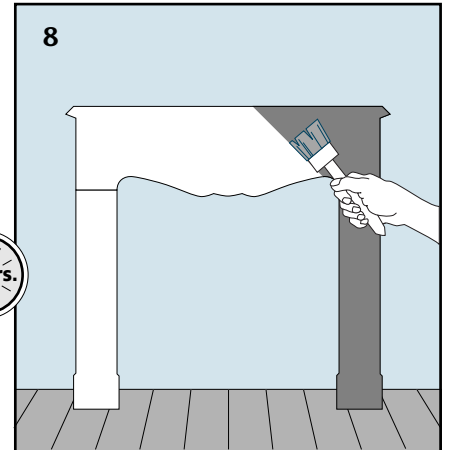
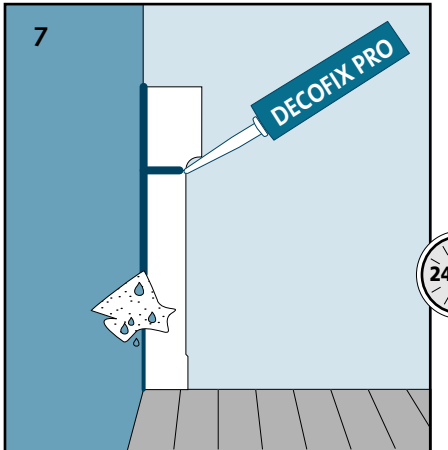
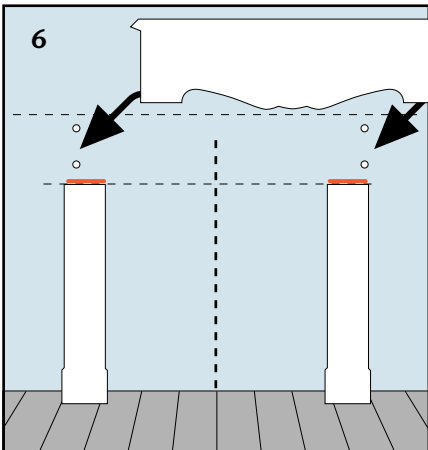
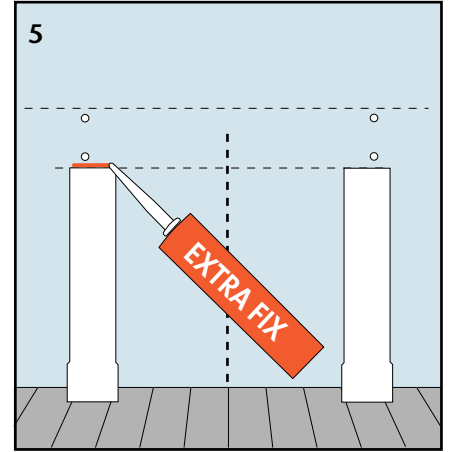
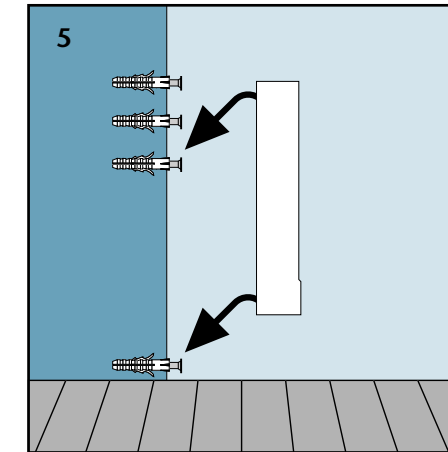
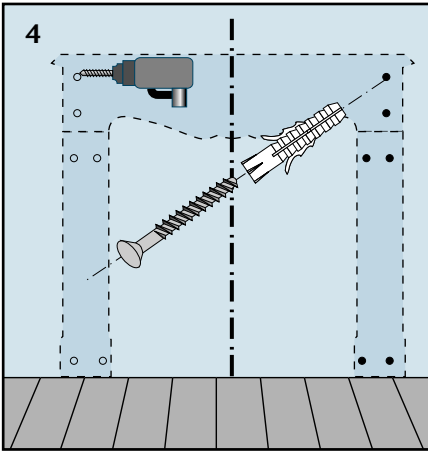
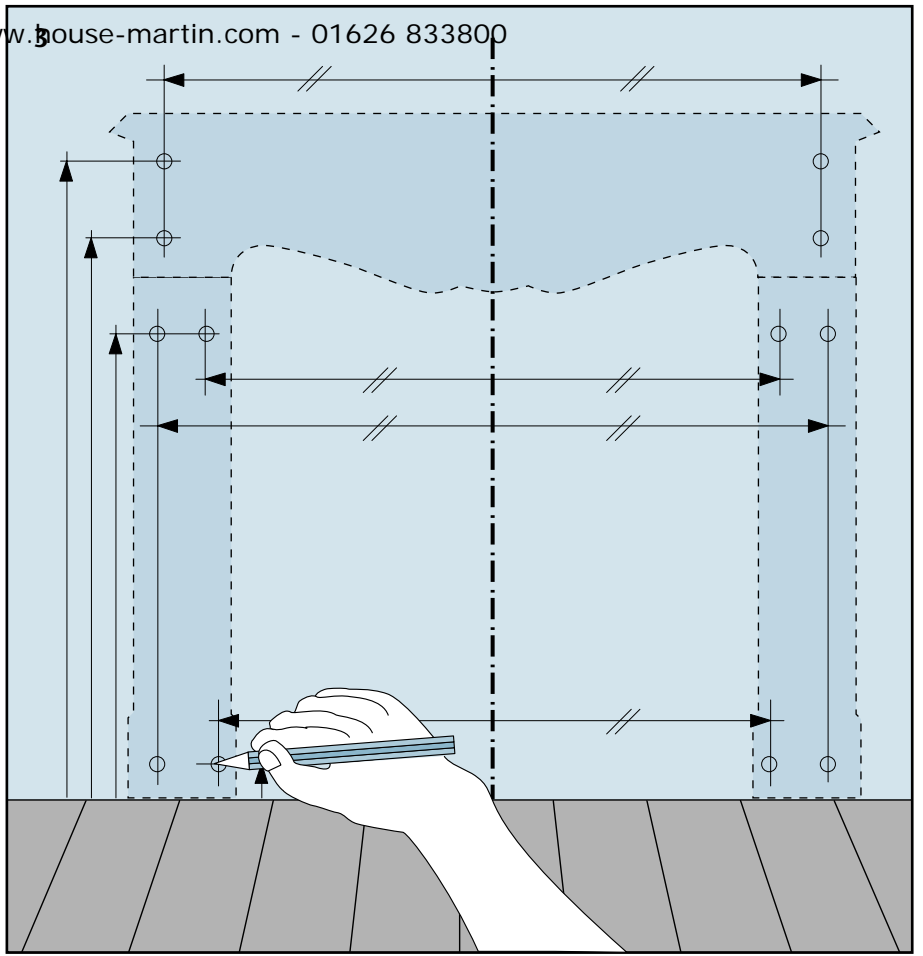
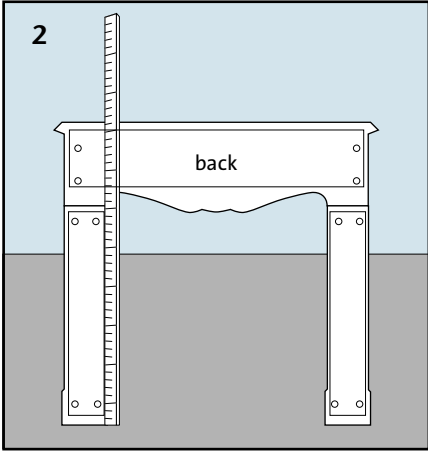
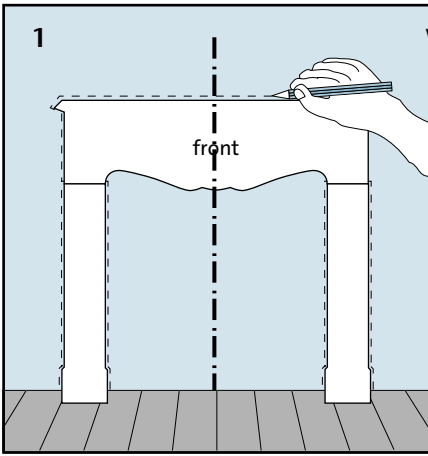
129,5 x 31 x 20,5 cm  
51" x 12<sup>3</sup>/<sub>16</sub>" x 12<sup>1</sup>/<sub>16</sub>"



20 x 87,5 x 17,5 cm  
7<sup>7</sup>/<sub>8</sub>" x 34<sup>7</sup>/<sub>16</sub>" x 6<sup>7</sup>/<sub>8</sub>"



*The dimensions given for each moulding are based on averages, and may vary slightly. Check measurements at job site before installing.*

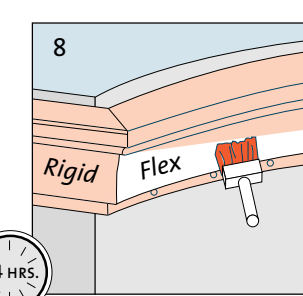
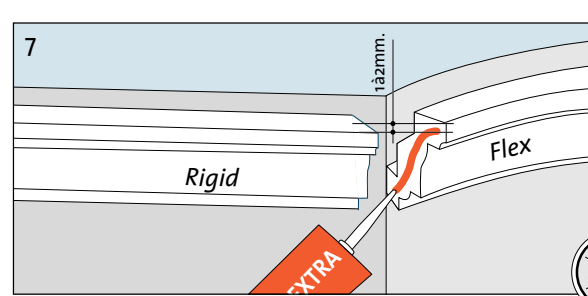
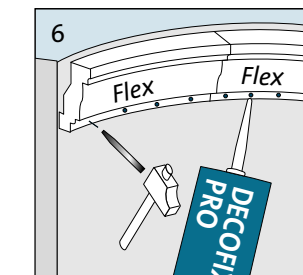
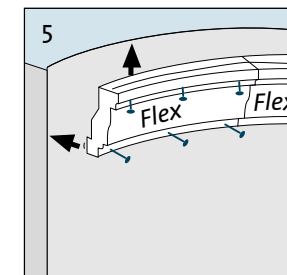
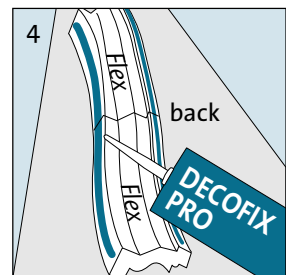
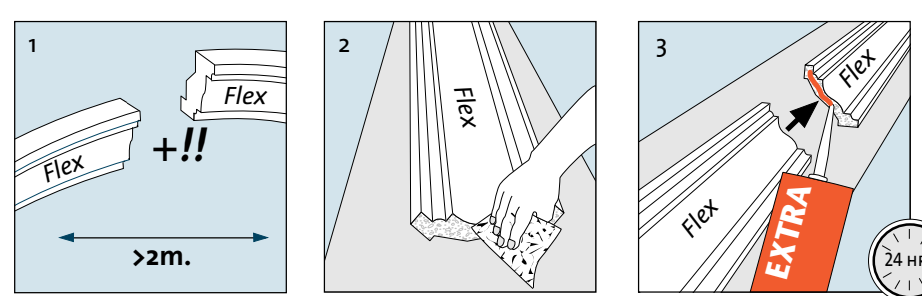
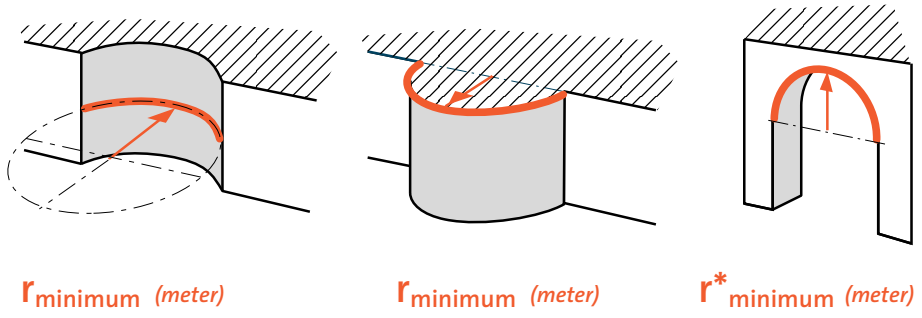




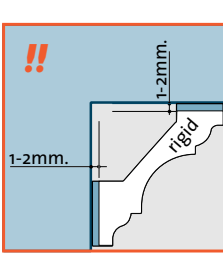
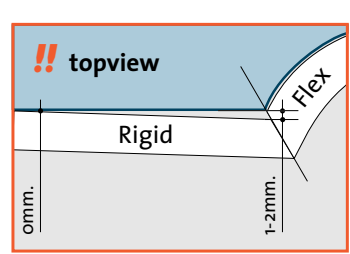
UM 130/03

INSTALLATION INSTRUCTIONS • INSTRUCTIONS DE POSE • PLAATSINGSINSTRUCTIES • GEBRAUCHSANLEITUNG • MANUAL DEL USUARIO • GUIDA DELL'UTENTE • MANUAL DE UTILIZAÇÃO

Ref.	r <sub>min</sub>		Ref.	r <sub>min</sub>		r* <sub>min</sub>	
	m.	ft.		m. inches	m.	ft.	
C.200	1,5	4' 11"	P.1020	0,3	1'	0,8	2' 8"
C.201	1,4	4' 7"	P.2020	0,3	1'	0,8	2' 8"
C.210	1,5	4' 11"	P.3020	0,9	3'	1,8	5' 11"
C.211	3,2	10' 6"	P.4020	0,9	3'	0,9	3'
C.212	1,4	4' 7"	P.5010	0,5	1' 8"	2,7	8' 11"
C.213	2,3	7' 7"	P.5020	0,5	1' 8"	2,7	8' 11"
C.214	1,1	3' 8"	P.5021	0,3	1'	0,8	2' 8"
C.215	1,7	5' 7"	P.6020	0,5	1' 8"	1,5	4' 11"
C.216	3,4	11' 2"	P.7010	0,3	1'	3,0	9' 11"
C.217	3,4	11' 2"	P.7020	0,3	1'	2,9	9' 7"
C.218	3,7	12' 2"	P.7030	0,3	1'	1,5	4' 11"
C.219	2,9	9' 7"	P.7040	0,5	1' 8"	1,8	5' 11"
C.220	2,9	9' 7"	P.7050	0,5	1' 8"	1,5	4' 11"
C.230	1,1	3' 8"	P.7060	0,5	1' 8"	1,8	5' 11"
C.240	2,3	7' 7"	P.7070	0,5	1' 8"	2,7	8' 11"
C.300	3,4	11' 2"	P.7080	0,5	1' 8"	/	/
C.301	3,0	8' 11"	P.8020	0,5	1' 8"	1,4	5' 11"
C.302	2,1	6' 11"	P.8030	0,3	1'	0,6	2'
C.303	1,8	5' 11"	P.8040	0,3	1'	2,9	9' 7"
C.304	1,7	5' 7"	P.9010	0,5	1' 8"	2,6	8' 7"
C.305	2,9	9' 7"	P.9020	0,5	1' 8"	2,7	8' 11"
C.307	4,6	15' 2"	P.9040	0,5	1' 8"	0,9	3'
C.308	1,4	4' 7"	P.9050	0,3	1'	0,8	2' 8"
C.321	1,4	4' 7"	P.9080	0,5	1' 8"	4,6	15' 2"
C.322	1,2	4'					
C.331	4,6	15' 2"					
C.332	4,9	16' 1"					
C.333	3,7	12' 2"					
C.334	4,1	4' 6"					
C.400	3,2	10' 6"					
C.401	1,8	5' 11"					
C.402	1,8	5' 11"					
C.422	3,7	12' 2"					
C.602	1,4	4' 7"					
C.900	4,0	13' 2"					
C.901	3,7	12' 2"					



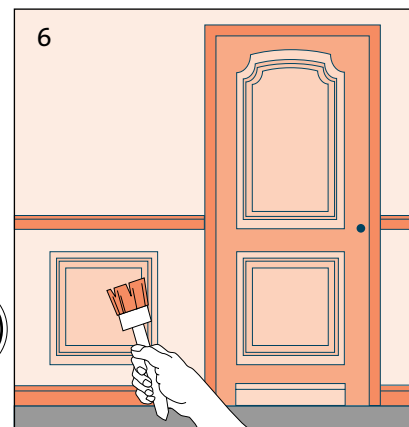
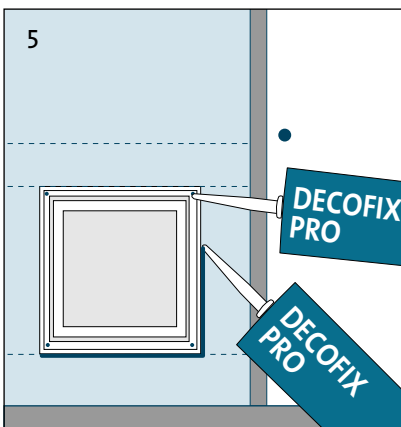
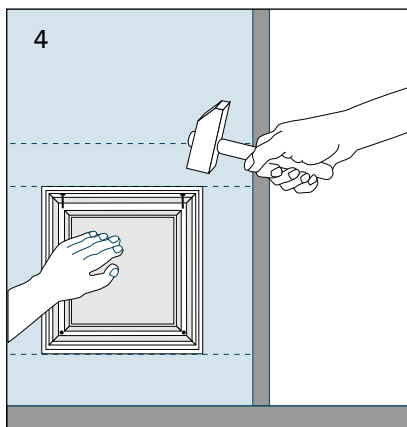
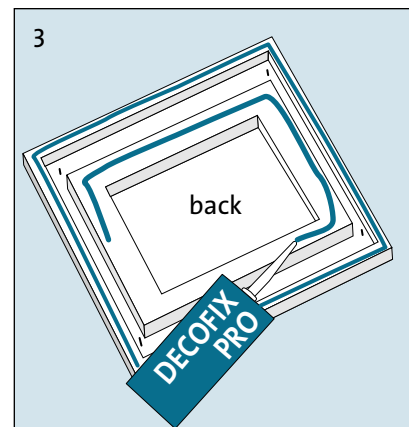
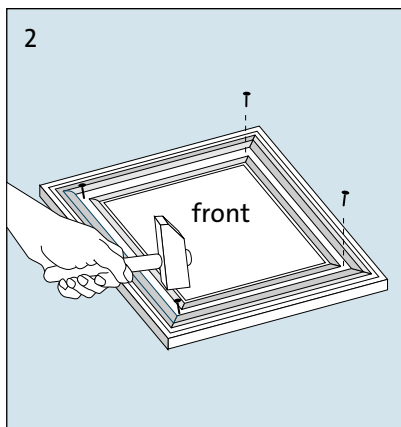
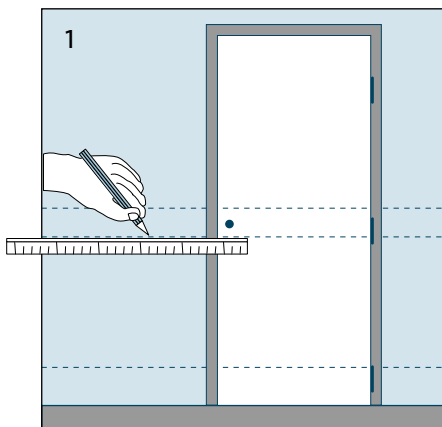
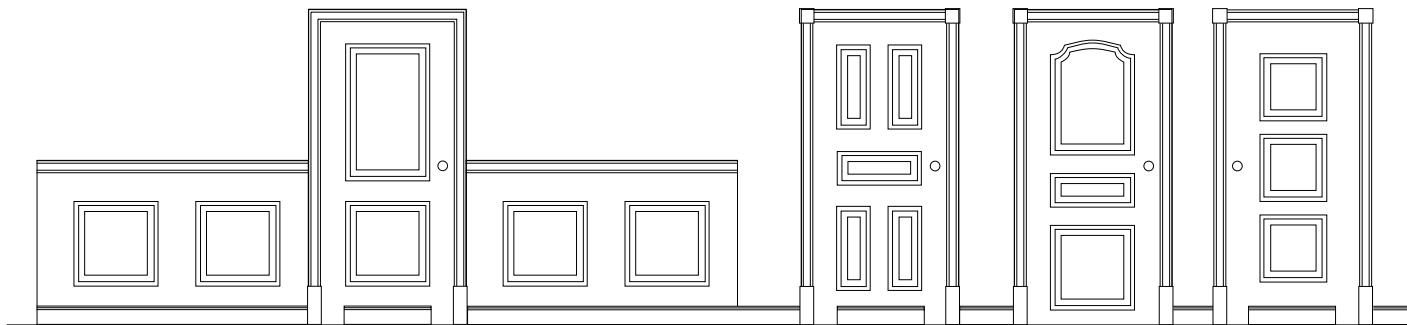
*The dimensions given for each moulding are based on averages, and may vary slightly. Check measurements at job site before installing.*







INSTALLATION INSTRUCTIONS • INSTRUCTIONS DE POSE • PLAATINGSINSTRUCTIES • GEBRAUCHSANLEITUNG • MANUAL DEL USUARIO • GUIDA DELL'UTENTE • MANUAL DE UTILIZAÇÃO





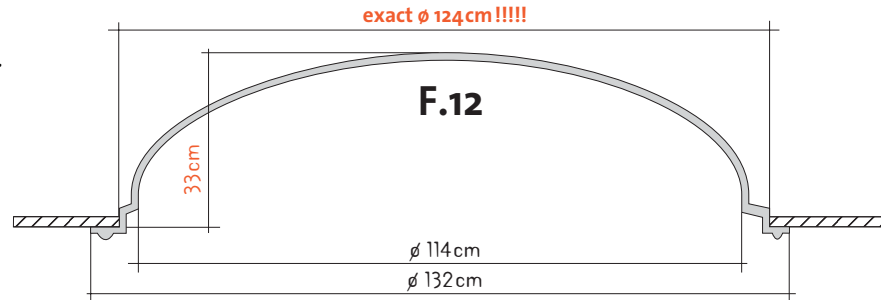
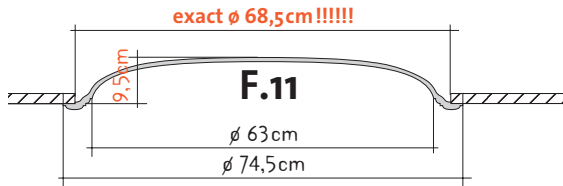


ORAC Belgium - tel: +32 (0)59-80 32 52 - fax: +32 (0)59-80 28 10  
www.oracdecor.com - e-mail: oracinfo@oracdecor.com

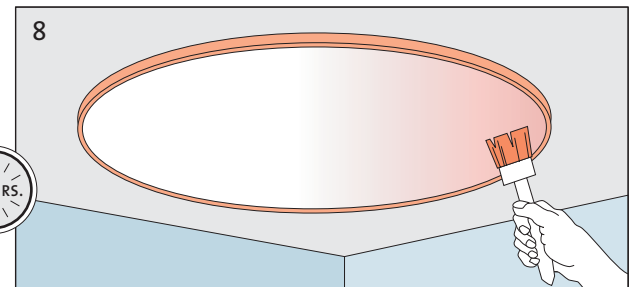
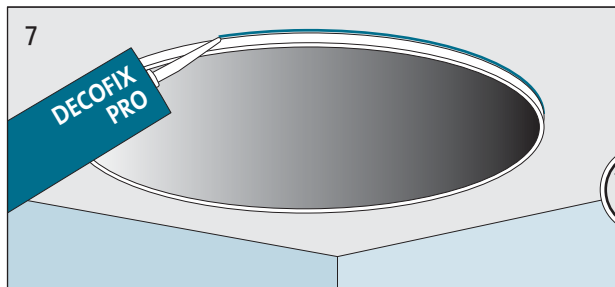
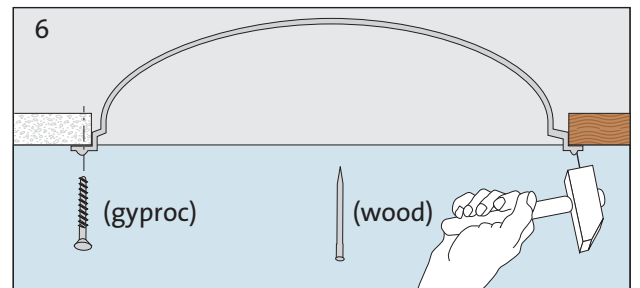
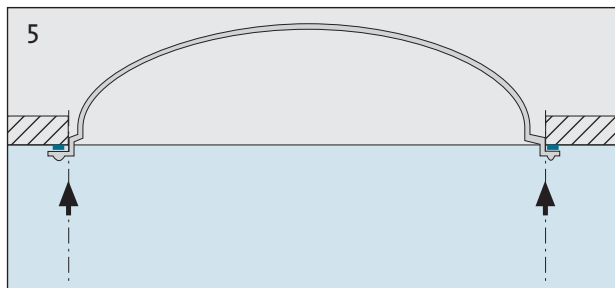
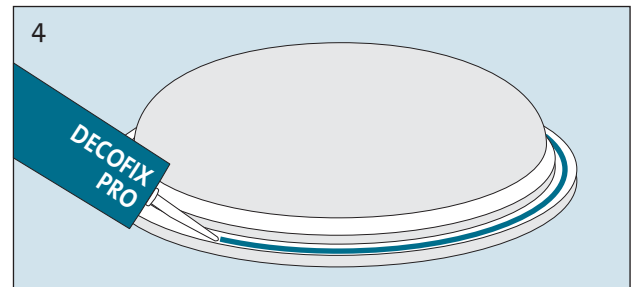
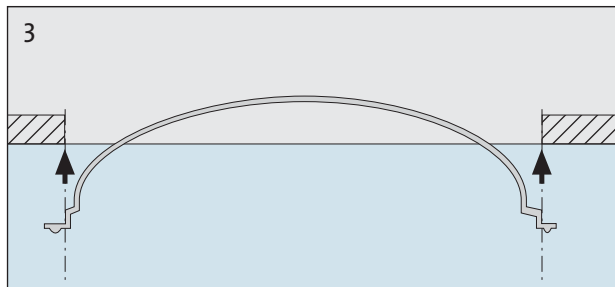
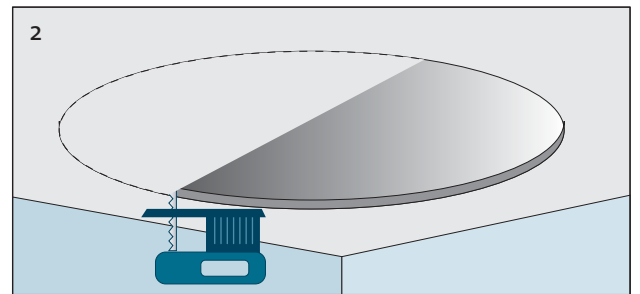
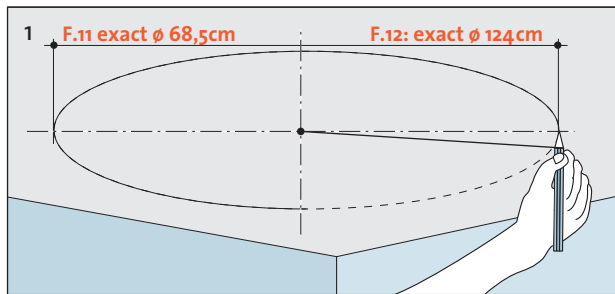
**UM 340/04**

INSTALLATION INSTRUCTIONS • INSTRUCTIONS DE POSE • PLAATSINGSINSTRUCTIES • INSTALLATIONSHINWEISE • MANUAL DEL USUARIO • GUIDA DELL' UTENTE • MANUAL DE UTILIZAÇÃO

*The dimensions given for each dome are based on averages, and may vary slightly.  
Check measurements at job site before installing.*



F.10: see UM.300, fig. 2-7





UM 330/03

ORAC Belgium - tel: +32 (0)59-80 32 52 - fax: +32 (0)59-80 28 10  
www.oracdecor.com - e-mail: oracinfo@oracdecor.com

INSTALLATION INSTRUCTIONS • INSTRUCTIONS DE POSE • PLAATSINGSINSTRUCTIES • GEBRAUCHSANLEITUNG • MANUAL DEL USUARIO • GUIDA DELL'UTENTE • MANUAL DE UTILIZAÇÃO

